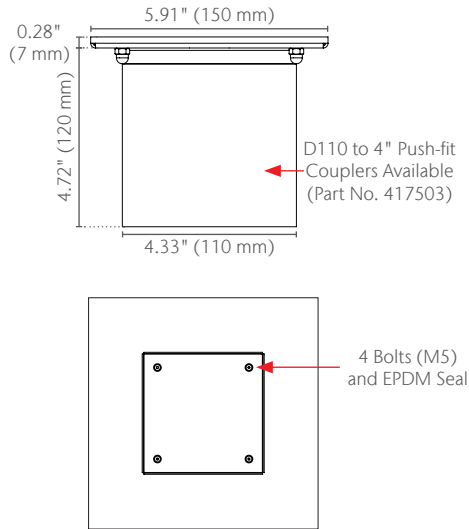


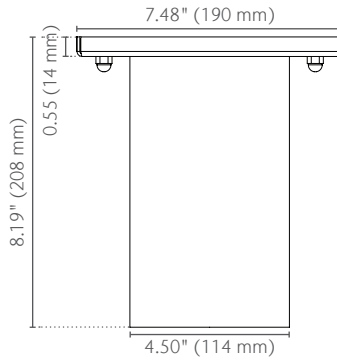
Square Floor Clean Out Spec Sheet



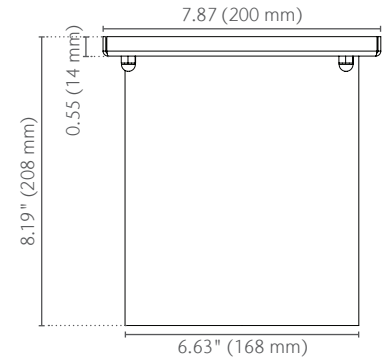
Light Duty D110 Outlet



Extra Heavy Duty 4" Outlet



Extra Heavy Duty 6" Outlet



Product List	Part No.	ASME: A 112.6.3	EN 1433	Thickness in (mm)	Material	Weight lbs
Light Duty FCO D110 Outlet	414596	Light Duty	A15	0.04" (1.5)	304	3.3
	416998	Light Duty	A15	0.04" (1.5)	316L	3.1
	417503	-	-	0.06" (1.6)	316L	1.4
<i>Typically used with D110 to 4" Push-fit Couplers</i>						
Extra Heavy Duty FCO 4" Outlet	140163	Extra Heavy Duty	E600	SCH10 (3.0)	304	12.1
	140165	Extra Heavy Duty	E600	SCH10 (3.0)	316L	12.1
Extra Heavy Duty FCO 6" Outlet	140164	Extra Heavy Duty	E600	SCH10 (3.0)	304	17.6
	140166	Extra Heavy Duty	E600	SCH10 (3.0)	316L	17.6

Specification Clause

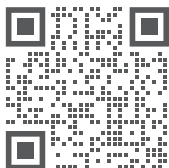
ACO Floor Clean Out. Outlet connection can be push-fit with ACO Pipe, welded in-field or optional no-hub coupler. Contact ACO for optional outlet sizes and thicknesses. The four bolt and EPDM seal creates a gas and water tight seal to allow access to the piping system for cleaning and maintenance while preventing odors when sealed.

ACO recommends checking local plumbing codes prior to installation.

ACO, Inc.

© January 2026 ACO, Inc.

All reasonable care has been taken in compiling the information in this document. All recommendations and suggestions on the use of ACO products are made without guarantee since the conditions of use are beyond the control of the company. It is the customer's responsibility to ensure that each product is fit for its intended purpose and that the actual conditions of use are suitable. ACO, Inc. reserves the right to change products and specifications without notice.



info@acousa.com
www.acousa.com

